

FAAC 400 (gate mounted operator)

MANUAL OPERATION

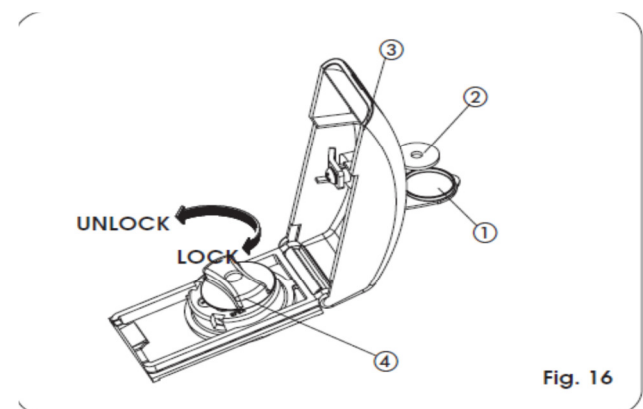
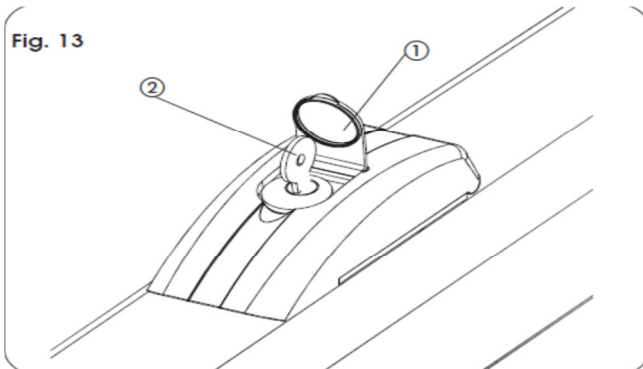


WARNING: BEFORE CARRYING OUT THE RELEASE AND SHUT-DOWN OPERATIONS, MAKE SURE THAT YOU HAVE CUT POWER TO THE OPERATOR.

7. MANUAL OPERATION

If the gate has to be moved manually due to a power cut or fault of the automated system, use the release device as follows:

- Lift the protective plug (Fig. 16, ref. ①) and fit the supplied key (Fig. 16, ref. ②).
- Turn the key 90° clockwise to open the cover.
- Lift up the cover (Fig. 16 ref. ③).
- Turn the release knob anti-clockwise for about two turns (Fig. 16, ref. ④).
- Open or close the leaf manually.



8. RESTORING NORMAL OPERATION MODE

To prevent an involuntary pulse from activating the operator during the manoeuvre, cut power to the system before re-locking the operator.

- To re-lock the operator, turn the release knob clockwise until it stops (Fig. 16, ref. ④).
- Close the cover and turn the key 90° anti-clockwise (Fig. 16, ref. ②).
- Finally, remove the key and close the protective plug (Fig. 16, ref. ①).