

FAAC 770 (underground operator)

MANUAL OPERATION



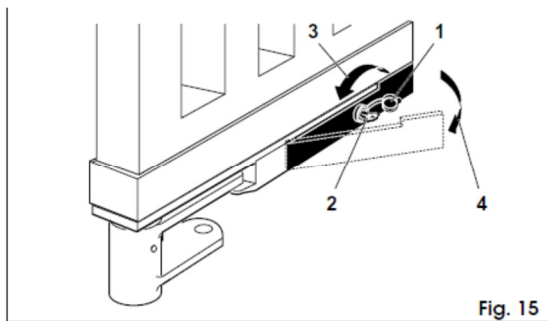
WARNING: BEFORE CARRYING OUT THE RELEASE AND SHUT-DOWN OPERATIONS, MAKE SURE THAT YOU HAVE CUT POWER TO THE OPERATOR.

6. MANUAL OPERATION

Should the need arise to operate the gate manually because of a power failure or malfunction, the release device with key fitted on the support bracket (fig. 1 - ref. 6) makes it possible to release the system both from the inside and from the outside.

To operate the leaf manually, proceed as follows.

- open the lid of the lock (fig. 15-ref. 1);
- insert the release key in the lock (fig. 15-ref. 2);
- turn the key in the direction of the post, as far as it will go (fig. 15-ref. 3);
- pull the lever out (fig. 15-ref. 4);
- operate the leaf manually.



7. RETURNING TO NORMAL OPERATION

To restore normal operation, proceed as follows:

- push the lever back into its home position (fig. 16-ref. 1);
- insert the release key in the lock and turn it in the direction opposite the post, as far as it will go (fig. 16-ref. 2);