

# FAAC S800 (underground operator)

## MANUAL OPERATION



**WARNING: BEFORE CARRYING OUT THE RELEASE AND SHUT-DOWN OPERATIONS, MAKE SURE THAT YOU HAVE CUT POWER TO THE OPERATOR.**

### MECHANICAL EMERGENCY RELEASE (OPTIONAL)

For the S800H operator, a manual mechanical emergency release is available as an optional item.

If the gate has to be moved manually due to a power cut or fault of the automated system, use the release key device.

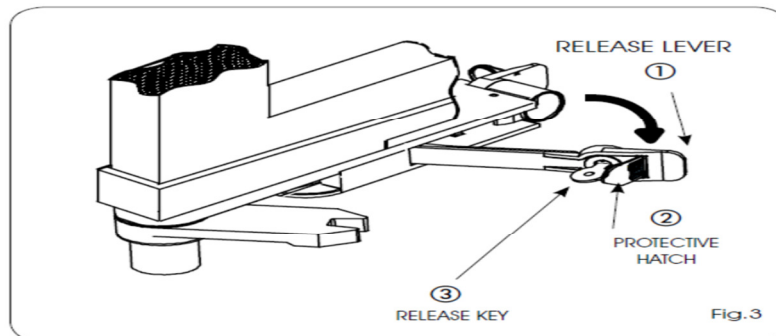
The device is inserted on the gate support bracket and enables you to release the system from both inside and outside the premises.

Procedure for manual leaf operation:

- 1) Open the protective hatch (Fig.3 ref.②).
- 2) Insert the release key in the lock (Fig.3 ref.③) and turn it clockwise sense up to its stop point.
- 3) Pull the release lever toward you (Fig.3 ref.①).
- 4) Move the leaf by hand.

Procedure for restoring the system to normal operation (Gate released):

- 1) Move the release lever back to its rest position (Fig.2)
- 2) Insert the release key in the lock, turn it in the opposite direction up to the stop point.
- 3) Move the leaf manually until the lock hooks on the shut-down bracket.
- 4) Close the protective plug of the lock.



### HYDRAULIC RELEASE OF THE OPERATOR

If the gate has to be moved manually due to a power cut or fault of the automated system, use the hydraulic release:

- 1) Unscrew the cover and remove it.
- 2) Turn the release screw (Fig.1 ref.①) inserting the triangular recess of the supplied key (Fig.1 ref.②):
  - To release, turn the release screw anti-clockwise up to the mechanical stop point.
  - To shut-down again, turn the release screw clockwise up to the mechanical stop point.

